



Parts Manual

Mfg. No: 030218-0
3,500 Watt Briggs & Stratton

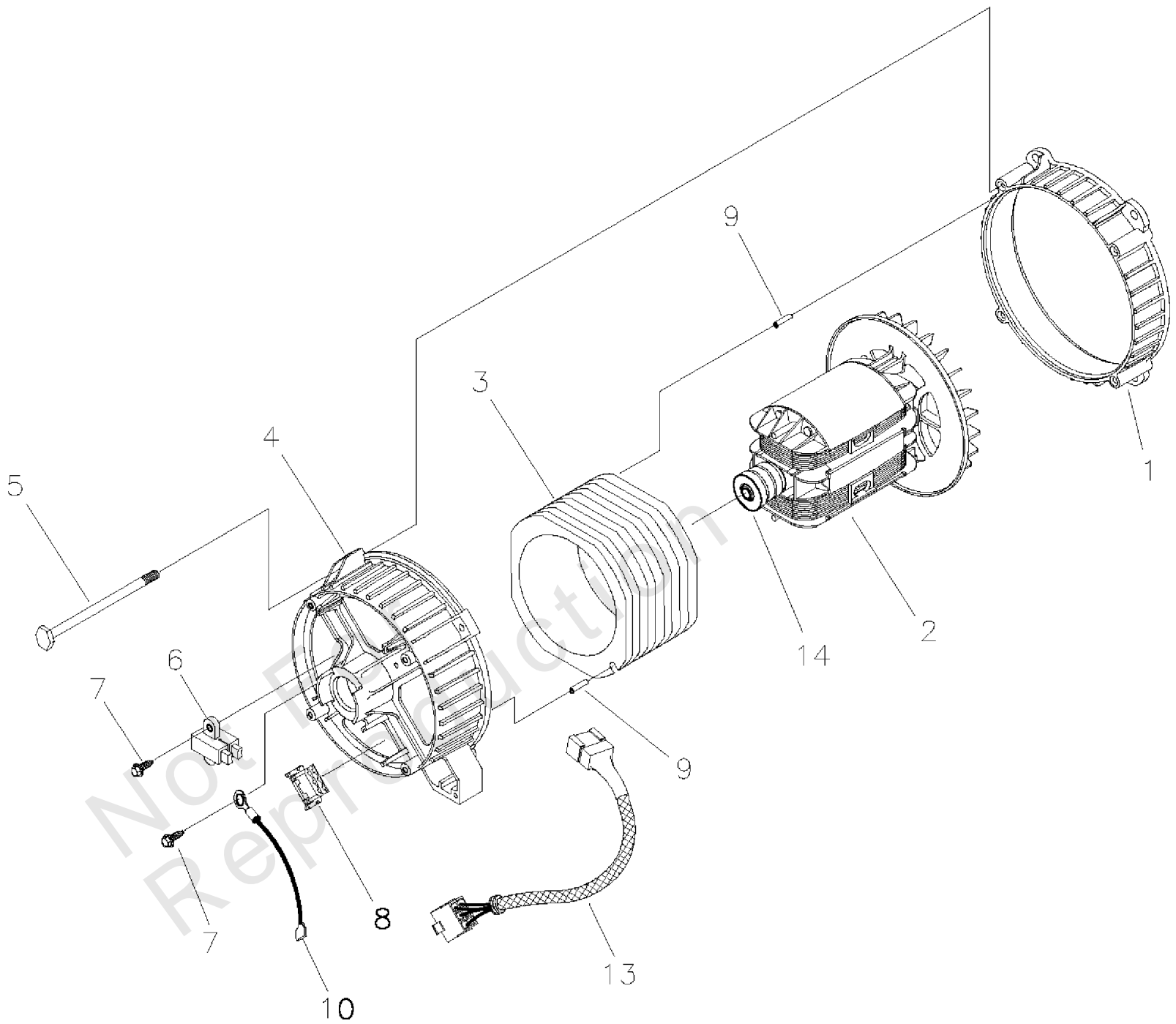
Model Components	Page
Alternator (191750).....	4
Control Panel (196798).....	6
Main Unit (196755).....	8
Torque Specification Chart.....	12

Not For
Reproduction

Alternator (191750)

Note: Unless noted otherwise, use the standard torque specifications

Mfg. No: 030218-0



Alternator (191750)

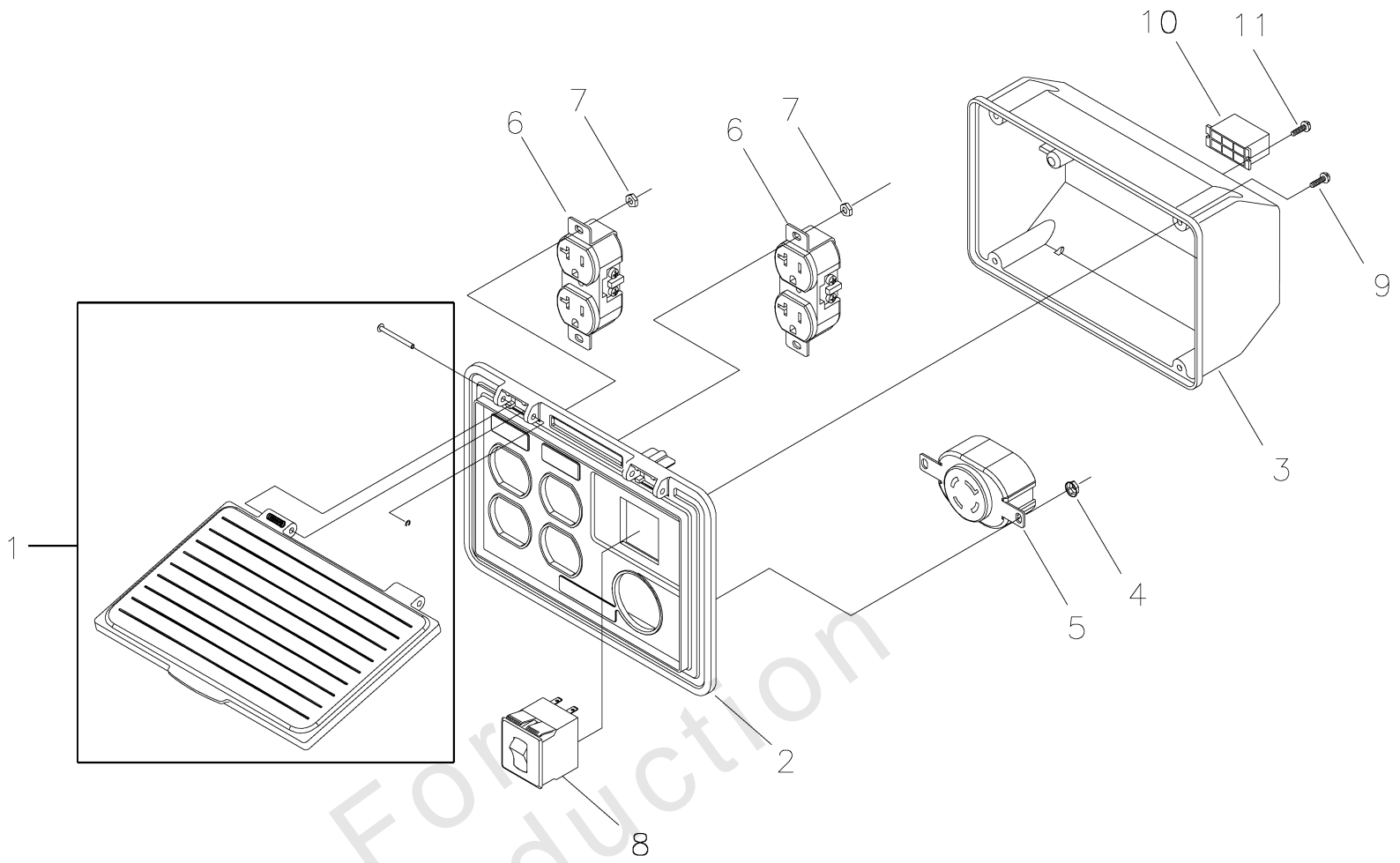
REF NO	PART NO	QTY	DESCRIPTION
1	186059GS		ADAPTER, Mounting,Alternator
2	191685GS		ROTOR
3	191686AGS		STATOR
4	186060GS		RBC, with O-Ring (p/n 189197GS)
5	86308GS		HHCS, M6 - 1.0 x 115 SEMS
6	91825GS		ASSY, Holder, Rectifier/Brush
7	66849GS		TAPTITE, M5 - 0.8 x 16
8	22694GS		RECEPTACLE, 6 pin
9	81917GS		PIN, Roll, 4mm x 10
10	193428AGS		ASSY,Wire, Ground
13	194274GS		HARNESS,Wire, Power
14	65791GS		BEARING

Not For
Reproduction

Control Panel (196798)

Note: Unless noted otherwise, use the standard torque specifications

Mfg. No: 030218-0



Control Panel (196798)

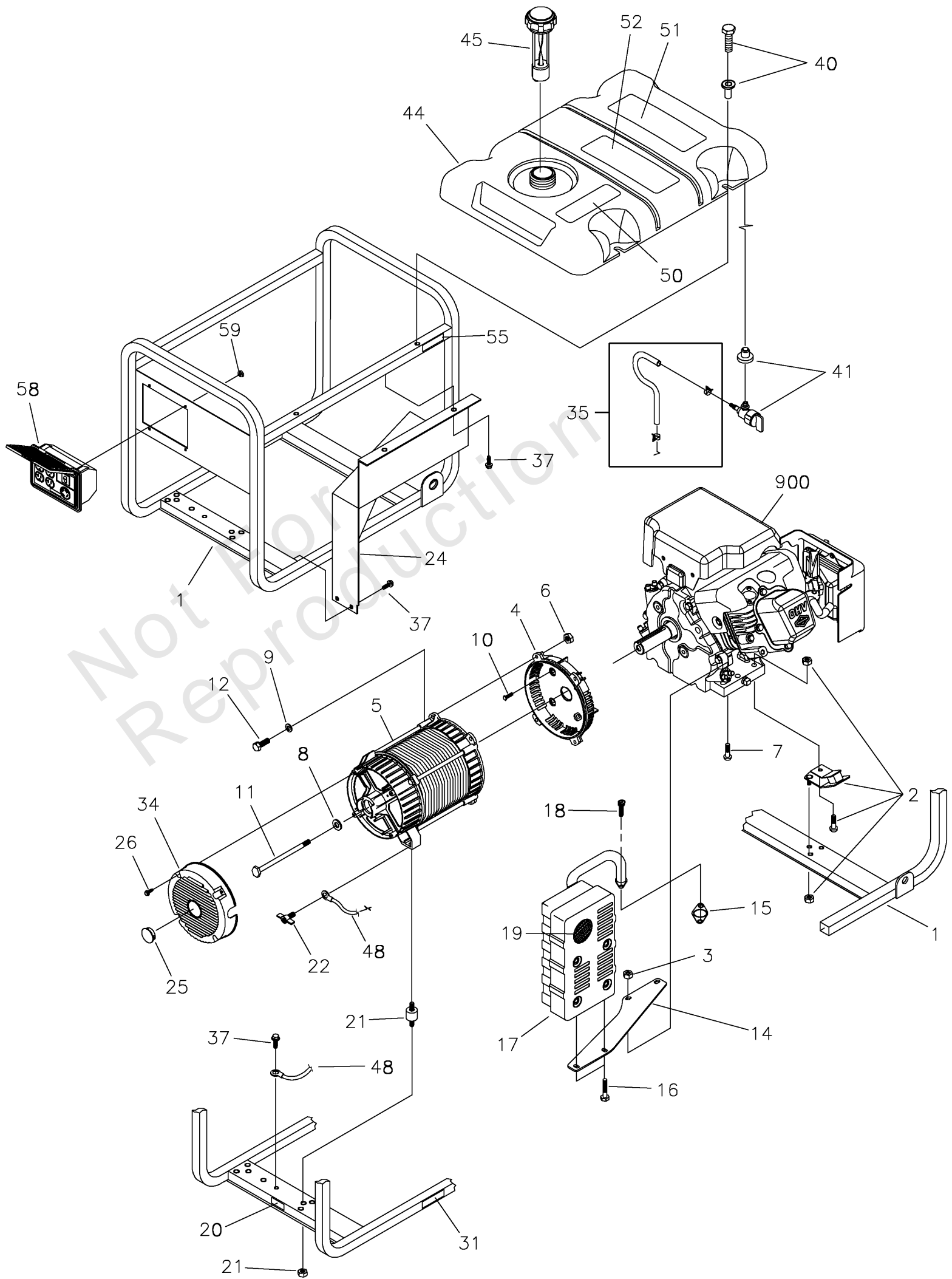
REF NO	PART NO	QTY	DESCRIPTION
1	195112GS		Assy, Control Lid Panel
2	196506CGS		Control Panel, Compact
3	188890GS		Box, Rear Cover
4	-		Nut, Palnut, Pushnut, 3/16 -(Purchase locally)
5	68867GS		Outlet, 120/240 Locking, 20A
6	63025GS		Outlet, 120V, 15Amp, Duplex
7	-		Nut, Palnut, Pushnut, 5/32 -(Purchase locally)
8	191479CGS		Breaker, 15, 2P
9	192241GS		Screw, Tapping, 3.5 x 14
10	22694GS		Housing, Receptacle
11	82308GS		Screw, Tapping, STC 3 x 18

Not For
Reproduction

Main Unit (196755)

Note: Unless noted otherwise, use the standard torque specifications

Mfg. No: 030218-0



Main Unit (196755)

REF NO	PART NO	QTY	DESCRIPTION
1	M194779GS		Kit, Cradle -(Includes 20, 31 & 55)
2	194150GS		Mount, Vibration
3	67989GS		Nut, M8 Flange Serrated
4	186058AGS		Housing, Engine Adapter
5	~NSP		Assy, Alternator -See Alternator
6	-		Nut, Hex, M8 - 1.25 -(Purchase locally)
7	195398GS		TPHMS, M8 - 1.25 x 35
8	96796GS		Washer, 8.4 x 22.2 x 3
9	-		Washer, 5/16 - M8 Lock -(Purchase locally)
10	-		HHCS, 5/16-24 x 3/4, Sems -(Purchase locally)
11	24823GS		HHCS, 5/16-24 x 7-7/8"
12	-		HHCS, M8 - 1.25 x 25 -(Purchase locally)
13	-		HHCS, M6 - 1.0 x 12 -(Purchase locally)
14	191785GS		Bracket, Muffler
15	697815		Gasket, Exhaust
17	188301GS		Muffler
18	-		SHCS, M6 - 1.0 x 20 -(Purchase locally)
19	83083GS		Screen, Spark Arrest
20	B4986GS		Decal, Ground
21	194153GS		Kit, Vibration Mount
22	86494GS		Screw, Wing M6 - 1.0 x 16
24	191790GS		Shield, Heat
25	191190GS		Cap
26	74908GS		Taptite, M5-0.8 x 10
31	191436GS		Decal, Caution Hot Muffler
34	195422GS		Cover, RBC, Plastic w/Cap
35	195207GS		Kit, Hose Formed
37	B2153GS		HHCS, 12 - 14 x 7/8" Self Driller
40	194398GS		Kit, Fuel Tank Hardware -(Includes Qty 4)
41	192980GS		Kit, Valve, Tank Fuel Service
44	197553GS		Assy., Tank, Fuel -(Includes Items 41, 50, 51, 52)
45	B4363GS		Gauge, Fuel
48	195373GS		Wire, Ground
50	191437GS		Decal, Fuel Level
51	197157GS		Decal, Warning
52	189235GS		Decal, Operating Instructions
55	197798GS		Decal, Fuel Shut Off
58	196796GS		Assy, Control Panel
59	-		Nut, Palnut -(Purchase locally)
900	-		Engine -Contact Engine Manufacturer
	196382GS		Manual, Operator's -Parts Not Illustrated
	43483GS		Plug, 250V, 20Amp -Parts Not Illustrated

Main Unit (196755)

REF NO	PART NO	QTY	DESCRIPTION
	197554GS		Kit, Decals Service -Parts Not Illustrated

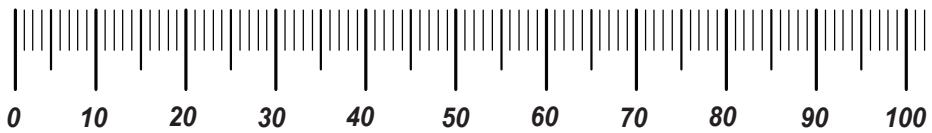
Not For
Reproduction

Hardware Identification & Torque Specifications

Torque Specification Chart								
FOR STANDARD METRIC MACHINE HARDWARE (Tolerance ± 20%)								
Property Class	5.6		8.8		10.9		12.9	
	Class 5.6		Class 8.8		Class 10.9		Class 12.9	
Size Of Hardware	in/lbs	Nm.	in/lbs	Nm.	in/lbs	Nm.	in/lbs	Nm.
	ft/lbs		ft/lbs		ft/lbs		ft/lbs	
M3	5.88	.56	13.44	1.28	19.2	1.80	22.92	2.15
M4	13.44	1.28	30.72	2.90	43.44	4.10	52.56	4.95
M5	26.4	2.50	60.96	5.75	5.97	8.10	7.15	9.7
M6	44.64	4.3	7.3	9.9	10.3	14	12.1	16.5
M7	5.2	7.1	12.1	16.5	16.9	23	19.9	27
M8	7.7	10.5	17.7	24	25	34	29	40
M10	15	21	35	48	50	67	59	81
M12	26	36	61	83	86.2	117	103	140
M14	42	58	101	132	136	185	162	220
M16	64	88	147	200	210	285	250	340
M18	89	121	202	275	287	390	346	470
M20	126	171	290	390	405	550	486	660
M22	169	230	390	530	559	745	656	890
M24	217	295	497	375	708	960	840	1140
M27	320	435	733	995	1032	1400	1239	1680
M30	435	590	995	1350	1401	1900	1681	2280
M33	590	800	1349	1830	1902	2580	2278	3090
M36	759	1030	1740	2360	2441	3310	2935	3980
M39	988	1340	2249	3050	3163	4290	3798	5150

Torque Specification Chart						
FOR STANDARD MACHINE HARDWARE (Tolerance ± 20%)						
Hardware Grade	No Marks		SAE Grade 5		SAE Grade 8	
	SAE Grade 2		SAE Grade 5		SAE Grade 8	
Size Of Hardware	in/lbs	Nm.	in/lbs	Nm.	in/lbs	Nm.
	ft/lbs		ft/lbs		ft/lbs	
8-32	19	2.1	30	3.4	41	4.6
8-36	20	2.3	31	3.5	43	4.9
10-24	27	3.1	43	4.9	60	6.8
10-32	31	3.5	49	5.5	68	7.7
1/4-20	66	7.6	8	10.9	12	16.3
1/4-28	76	8.6	10	13.6	14	19.0
5/16-18	11	15.0	17	23.1	25	34.0
5/16-24	12	16.3	19	25.8	29	34.0
3/8-16	20	27.2	30	40.8	45	61.2
3/8-24	23	31.3	35	47.6	50	68.0
7/16-14	30	40.8	50	68.0	70	95.2
7/16-20	35	47.6	55	74.8	80	108.8
1/2-13	50	68.0	75	102.0	110	149.6
1/2-20	55	74.8	90	122.4	120	163.2
9/16-12	65	88.4	110	149.6	150	204.0
9/16-18	75	102.0	120	163.2	170	231.2
5/8-11	90	122.4	150	204.0	220	299.2
5/8-18	100	136	180	244.8	240	326.4
3/4-10	160	217.6	260	353.6	386	525.0
3/4-16	180	244.8	300	408.0	420	571.2
7/8-9	140	190.4	400	544.0	600	816.0
7/8-14	155	210.8	440	598.4	660	897.6
1-8	220	299.2	580	788.8	900	1,244.0
1-12	240	326.4	640	870.4	1,000	1,360.0

The guides and ruler furnished below are designed to help you select the appropriate hardware.

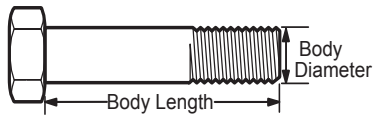


Nut, M8

Thread Diameter (mm)

Inside Diameter (in) Threads per inch

Nut, 1/2-16

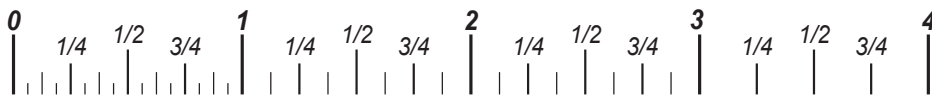


Screw, M8- 1.25 x 25

Thread Diameter (mm) Distance between threads (mm) Body Length (mm)

Body Diameter Threads per inch Body Length (in)

Screw, 1/2- 16 x 2



Standard Hardware Sizing

When a washer or nut is identified as 1/2" (M8), this is the *Nominal size*, meaning the *inside diameter* is 1/2 inch (8mm metric thread diameter); if a second number is present it represents the *threads per inch* (distance between threads).

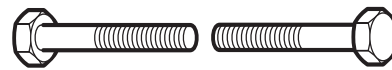
When bolt or capscrew is identified as 1/2 - 16 x 2" (M8 - 1.25 x 50), this means the *Nominal size*, or body diameter is 1/2 inch (8mm metric thread diameter), the second number, 16, represents the *threads per inch*, (*distance between threads*). The final number is the body length of the bolt or screw, 2 inches (50mm).

NOTES

- These torque values are to be used for all hardware excluding: locknuts, self-tapping screws, thread forming screws, sheet metal screws and socket head setscrews.
- Recommended seating torque values for locknuts:
 - for prevailing torque locknuts - use 65% of grade 5 torques.
 - for flange whizlock nuts and screws - use 135% of grade 5 torques.
- Unless otherwise noted on assembly drawings, all torque values must meet this specification.

Common Hardware Types

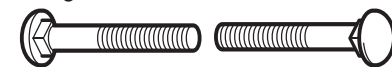
Hex Head Capscrew



Washer



Carriage Bolt



Hex Nut

Wrench & Fastener Size Guide

1/4" Bolt or Nut Wrench—7/16"	5/16" Bolt or Nut Wrench—1/2"	3/8" Bolt or Nut Wrench—9/16"	7/16" Bolt or Nut Wrench (Bolt)—5/8" Wrench (Nut)—11/16"	1/2" Bolt or Nut Wrench—3/4"
M6 Bolt or Nut Wrench—10mm	M8 Bolt or Nut Wrench—13mm	M10 Bolt or Nut Wrench—17mm	M12 Bolt or Nut Wrench—19mm	M14 Bolt or Nut Wrench—22mm

